



Global string inverter manufacturer



Made by Ginlong Technologies
Stock Code: 300763.SZ

Quality Experience Reliability



Solis New Manufacturing and R&D Base

17 years

Since 2005

3000+

Global Employees

460+

R&D Team



Top-of-range Lifespan Projection in String Inverter Category as Validated by DNV·GL.



COMPANY PROFILE

Established in 2005, Ginlong (Solis) (Stock Code: 300763.SZ) is one of most experienced and largest manufacturers of solar inverters.

Ginlong's cost-effective solutions for residential, commercial, and utility-scale users deliver value at every level of the solar supply chain, engaging both homeowners and businesses, as well as power producers and renewable energy investors across the globe.

Presented under the Solis brand, the company's solar inverter product line uses innovative string technology to deliver first-class reliability, validated under the most stringent international certifications.

Combining a global supply chain with world-class R&D and manufacturing capabilities, Ginlong optimizes its Solis inverters for each regional market, servicing and supporting its customers with its team of local experts.

Proven bankability has attracted support from world leading financial institutions, ensuring solid long-term returns on investment. Working with stakeholders to accelerate the worlds journey towards a more sustainable future.

30 GW+

Global Installation

\$1355M

Total Assets

40 GW

Capacity



**Wood
Mackenzie**

No.2 Globally for Single Phase

No.3 Globally for Three Phase

 solis



Company Milestones

2005	Ginlong Technologies established in Ningbo, China
2006	Second inverter certified to UK G83 certification
2009	First Asian inverter to achieve USA UL1741 certification
2010	Second Asian inverter certified to AS4777/AS 3100
2011	Ginlong hosted IEC61400 second annual meeting
2015	Ginlong inverter installed on the Eiffel Tower in Paris
2015	Achieved top 12 inverter sales ranking in Europe
2016	Awarded Best Distribution Inverter Brand by PVBL
2016	Certified to ISO 9001:2015 Standard
2016	Certified to ISO 14001:2015 Standard
2015 ~ 2016	Earned third place ranking in China PV string inverter brand value
2017	Certified to OHSAS 18001:2007 Standard
2018	Single-phase string inverters ranked 2nd in global market shares (GTM)
2019	Ginlong (Solis) listed as a Public Company
2019	Ginlong (Solis) Ranked Third among Asian Brands by BloombergNEF Bankability
2020	Ginlong Solis won PVBL 2019 Annual Top Global PV Brand Award
2020	Three-phase string inverters ranked 3rd in global market shares (GTM)
2016, 2021	Listed by Asia PV innovation
2017 ~ 2021	Granted prestigious APVIA Technology Achievement Award
2016 ~ 2022	Awarded Top Brand PV inverters by EuPD Research



Vertically-Integrated Manufacturing



Ginlong's vertically-integrated 20GW+ manufacturing allows end-to-end control through every step of production, from component sourcing to final QC. We manage every aspect of manufacturing with state-of-the-art automation, fastidious inspections and rigorous testing, ensuring industry-leading quality. Our in-house SMT circuit board production is unique in the industry, guaranteeing quality and streamlining product innovation in response to customer needs.

Best-in-Class Partners

Capacitors, Inductors



nichicon

NCC株式会社



Connectors, Switching Devices



ZETTLER



OMRON

Panasonic

Materials, IC Categories



AVAGO
TECHNOLOGIES



TOSHIBA

Power Devices, Sensors



VAC
VACUUMSCHMELZE

SiTime™

CREE ⇄



Global Service Network



Service Offices

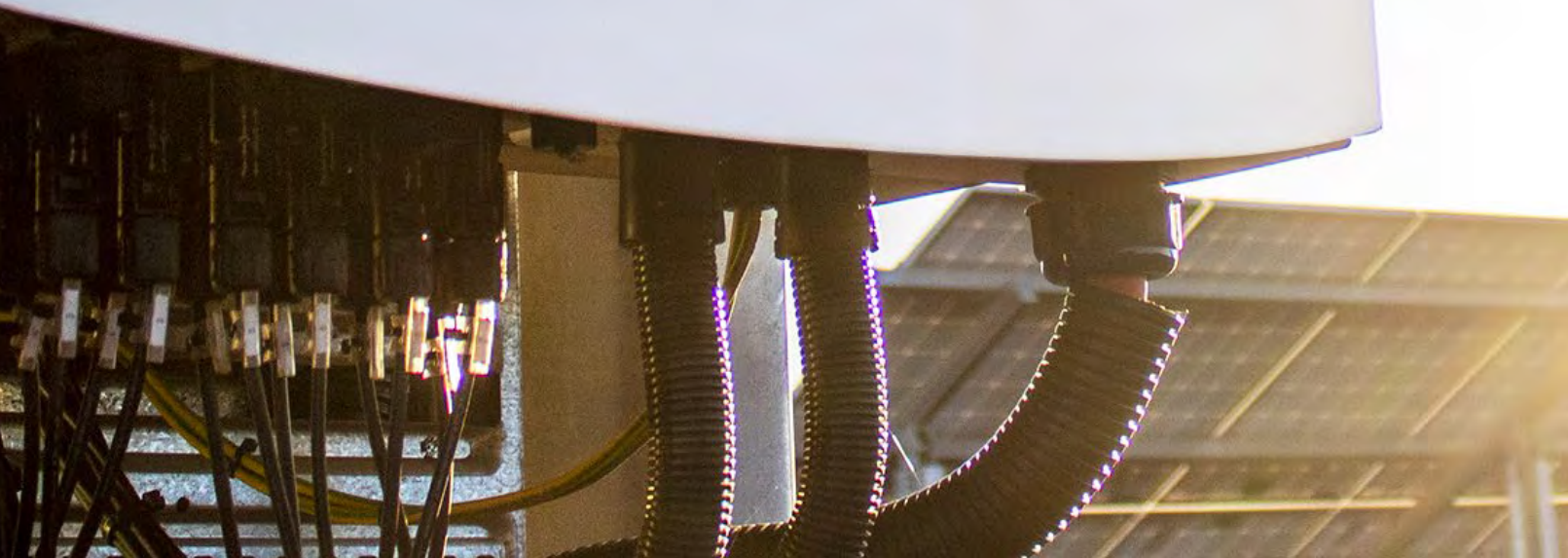
- UK
- U.S.A
- Brazil
- China
- Korea
- Turkey
- South Africa
- Netherlands
- Philippines
- Mexico
- Germany
- Myanmar
- Spain
- India
- Italy
- Vietnam
- Romania
- Poland
- Australia
- Sweden
- France

Expert Local Customer Service

- Unmatched experience across a global service network
- Reliable service technicians on the phone and in the field
- Global technical support available



 solis



CONTENTS

Solis Mini Series Inverters	01
Solis Single Phase Inverters	03
Solis Three Phase Inverters	09
Solis Energy Storage Inverters	11
Solis Three Phase Inverters	21
Accessories	35
SolisCloud	43
Case study	44

Solis Mini Series Inverters

» S6-GR1P(0.7-3.6)K-M



360 degree

Features:

- ▶ Max. efficiency 97.3%
- ▶ String current up to **14A**
- ▶ Super high frequency switching technology
- ▶ Wide voltage range and low startup voltage
- ▶ Precise MPPT algorithm
- ▶ Intergrated Export Power Manager (EPM)
- ▶ AFCI protection, proactively reduces fire risk
- ▶ Compact and lightweight
- ▶ Friendly and adaptable connection to the grid



Model:

- | | |
|---------------|-------------|
| S6-GR1P0.7K-M | S6-GR1P1K-M |
| S6-GR1P1.5K-M | S6-GR1P2K-M |
| S6-GR1P2.5K-M | S6-GR1P3K-M |
| S6-GR1P3.6K-M | |

Datasheet

Model Name	S6-GR1P0.7K-M	S6-GR1P1K-M	S6-GR1P1.5K-M	S6-GR1P2K-M	S6-GR1P2.5K-M	S6-GR1P3K-M	S6-GR1P3.6K-M
------------	---------------	-------------	---------------	-------------	---------------	-------------	---------------

Input DC

Recommended max. PV power	1.1 kW	1.5 kW	2.3 kW	3 kW	3.8 kW	4.5 kW	5.4 kW
Max. input voltage	600 V						
Rated voltage	200 V			330 V			
Start-up voltage	60 V			90 V			
MPPT voltage range	50-500 V			80-500 V			
Max. input current	14 A						19 A
Max. short circuit current	22 A						24 A
MPPT number/Max. input strings number	1/1						1/2

Output AC

Rated output power	0.7 kW	1 kW	1.5 kW	2 kW	2.5 kW	3 kW	3.6 kW
Max. apparent output power	0.77 kVA	1.1 kVA	1.65 kVA	2.2 kVA	2.75 kVA	3.3 kVA	3.6 kVA
Max. output power	0.77 kW	1.1 kW	1.65 kW	2.2 kW	2.75 kW	3.3 kW	3.6 kW
Rated grid voltage	1/N/PE, 220 V / 230 V						
Rated grid frequency	50 Hz / 60 Hz						
Rated grid output current	3.2 A / 3.0 A	4.5 A / 4.3 A	6.8 A / 6.5 A	9.1 A / 8.7 A	11.4 A / 10.9 A	13.6 A / 13 A	16 A
Max. output current	4.4 A	5.2 A	8.1 A	10.5 A	13.3 A	15.7 A	16 A
Power Factor	>0.99 (0.8 leading - 0.8 lagging)						
THDi	<3%						

Efficiency

Max. efficiency	96.6%		96.6%	97.1%	97.1%		97.3%
EU efficiency	95.3%		95.4%	96.6%	96.7%		96.8%

Protection

DC reverse-polarity protection	Yes
Short circuit protection	Yes
Output over current protection	Yes
Surge protection	Yes
Grid monitoring	Yes
Anti-islanding protection	Yes
Temperature protection	Yes
Integrated AFCI (DC arc-fault circuit protection)	Yes ⁽¹⁾
Integrated DC switch	Optional

General Data

Dimensions (W*H*D)	310*373*160 mm	
Weight	7.4 kg	7.7 kg
Topology	Transformerless	
Self consumption (night)	<1 W	
Operating ambient temperature range	-25 ~ +60°C	
Relative humidity	0-100%	
Ingress protection	IP66	
Cooling concept	Natural convection	
Max. operation altitude	4000 m	
Grid connection standard	G98 or G99, VDE-AR-N 4105 / VDE V 0124, EN 50549-1, VDE 0126 / UTE C 15 / VFR:2019, RD 1699 / RD 244 / UNE 206006 / UNE 206007-1, CEI 0-21, C10/11, NRS 097-2-1, TOR, EIFS 2018.2, IEC 62116, IEC 61727, IEC 60068, IEC 61683, EN 50530, MEA, PEA	
Safety/EMC standard	IEC/EN 62109-1/-2, IEC/EN 61000-6-1/-2/-3/-4	

Features

DC connection	MC4 connector
AC connection	Quick connection plug
Display	LCD
Communication	RS485, Optional: Wi-Fi, GPRS

(1) Activation required.

Solis Single Phase Inverters

» S6-GR1P(2.5-6)K



360 degree

Features:

- ▶ Max. efficiency 97.7%
- ▶ String current up to **14A**
- ▶ Super high frequency switching technology
- ▶ Wide voltage range and low startup voltage
- ▶ 2 MPPT design with precise MPPT algorithm
- ▶ Intergrated Export Power Manager (EPM)
- ▶ AFCI protection, proactively reduces fire risk
- ▶ Compact and lightweight
- ▶ Friendly and adaptable connection to the grid



Model:

- | | | |
|-------------|-------------|-------------|
| S6-GR1P2.5K | S6-GR1P3K | S6-GR1P3.6K |
| S6-GR1P4K | S6-GR1P4.6K | S6-GR1P5K |
| S6-GR1P6K | | |

Datasheet

Model Name	S6-GR1P2.5K	S6-GR1P3K	S6-GR1P3.6K	S6-GR1P4K	S6-GR1P4.6K	S6-GR1P5K	S6-GR1P6K
------------	-------------	-----------	-------------	-----------	-------------	-----------	-----------

Input DC

Recommended max. PV power	3.75 kW	4.5 kW	5.4 kW	6 kW	6.9 kW	7.5 kW	9 kW
Max. input voltage	550 V	600 V					
Rated voltage	250 V	330 V					
Start-up voltage	60 V	120 V					
MPPT voltage range	50-450 V	90-520 V					
Max. input current	14 A / 14 A						
Max. short circuit current	22 A / 22 A						
MPPT number/Max. input strings number	2/2						

Output AC

Rated output power	2.5 kW	3 kW	3.6 kW	4 kW	4.6 kW	5 kW	6 kW
Max. apparent output power	2.8 kVA	3.3 kVA	4 kVA	4.4 kVA	5 kVA	5 kVA	6 kVA
Max. output power	2.8 kW	3.3 kW	4 kW	4.4 kW	5 kW	5 kW	6 kW
Rated grid voltage	1/N/PE, 220 V / 230 V						
Rated grid frequency	50 Hz / 60 Hz						
Rated grid output current	11.4 A / 10.9 A	13.6 A / 13.0 A	16.0 A / 15.7 A	18.2 A / 17.4 A	20.9 A / 20.0 A	22.7 A / 21.7 A	27.3 A
Max. output current	13.3 A	15.7 A	16.0 A	21.0 A	23.8 A	25.0 A	27.3 A
Power Factor	>0.99 (0.8 leading - 0.8 lagging)						
THDi	<3%						

Efficiency

Max. efficiency	97.3%	97.3%	97.6%			97.7%
EU efficiency	96.5%	96.6%	97.1%			97.1%

Protection

DC reverse-polarity protection	Yes
Short circuit protection	Yes
Output over current protection	Yes
Surge protection	Yes
Grid monitoring	Yes
Anti-islanding protection	Yes
Temperature protection	Yes
Integrated AFCI (DC arc-fault circuit protection)	Yes ⁽¹⁾
Integrated DC switch	Optional

General Data

Dimensions (W*H*D)	310*543*160 mm						
Weight	11 kg	11.2 kg			12 kg		
Topology	Transformerless						
Self consumption (night)	<1 W						
Operating ambient temperature range	-25 ~ +60°C						
Relative humidity	0-100%						
Ingress protection	IP66						
Cooling concept	Natural convection						
Max. operation altitude	4000 m						
Grid connection standard	G98 or G99, VDE-AR-N 4105 / VDE V 0124, EN 50549-1, VDE 0126 / UTE C 15 / VFR:2019, RD 1699 / RD 244 / UNE 206006 / UNE 206007-1, CEI 0-21, C10/11, NRS 097-2-1, TOR, EIFS 2018.2, IEC 62116, IEC 61727, IEC 60068, IEC 61683, EN 50530, MEA, PEA						
Safety/EMC standard	IEC/EN 62109-1/-2, IEC/EN 61000-6-2/-3						

Features

DC connection	MC4 connector
AC connection	Quick connection plug
Display	LCD
Communication	RS485, Optional: Wi-Fi, GPRS

(1) Activation required.

Solis Single Phase Inverters

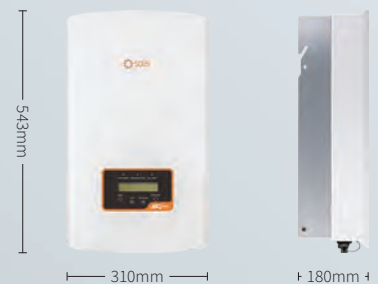
» Solis-1P(7-8)K-5G



360 degree

Features:

- ▶ Max. efficiency 98.1%
- ▶ Wide voltage range and low startup voltage
- ▶ 2 MPPT design with precise MPPT algorithm
- ▶ Intergrated Export Power Manager (EPM)
- ▶ AFCI protection, proactively reduces fire risk
- ▶ Compact and lightweight
- ▶ Friendly and adaptable connection to the grid



Model:

Solis-1P7K-5G

Solis-1P8K-5G

Datasheet

Model Name	Solis-1P7K-5G	Solis-1P8K-5G
Input DC		
Recommended max. PV power	10.5 kW	12 kW
Max. input voltage	600 V	
Rated voltage	330 V	
Start-up voltage	120 V	
MPPT voltage range	90-520 V	
Max. input current	12.5 A / 25 A	
Max. short circuit current	19.5 A / 30 A	
MPPT number/Max. input strings number	2/3	
Output AC		
Rated output power	7 kW	8 kW
Max. apparent output power	7.7 kVA	8 kVA
Max. output power	7.7 kW	8 kW
Rated grid voltage	1/N/PE, 220 V / 230 V	
Rated grid frequency	50 Hz / 60 Hz	
Rated grid output current	30.4 A	34.8 A
Max. output current	33.5 A	34.8 A
Power Factor	>0.99 (0.8 leading - 0.8 lagging)	
THDi	<3%	
Efficiency		
Max. efficiency	98.1%	
EU efficiency	97.3%	
Protection		
DC reverse-polarity protection	Yes	
Short circuit protection	Yes	
Output over current protection	Yes	
Surge protection	Yes	
Grid monitoring	Yes	
Anti-islanding protection	Yes	
Temperature protection	Yes	
Integrated AFCI (DC arc-fault circuit protection)	Yes ⁽¹⁾	
Integrated DC switch	Optional	
General Data		
Dimensions (W*H*D)	310*543*180 mm	
Weight	13.3 kg	
Topology	Transformerless	
Self consumption (night)	<1 W	
Operating ambient temperature range	-25 ~ +60°C	
Relative humidity	0-100%	
Ingress protection	IP65	
Cooling concept	Natural convection	
Max. operation altitude	4000 m	
Grid connection standard	G98 or G99, EN 50549-1, RD 1699 / RD 244 / UNE 206006 / UNE 206007-1, IEC 62116, IEC 61727, IEC60068, IEC 61683, EN 50530	
Safety/EMC standard	IEC/EN 62109-1/-2, IEC/EN 61000-6-1/-2/-3/-4	
Features		
DC connection	MC4 connector	
AC connection	Quick connection plug	
Display	LCD	
Communication	RS485, Optional: Wi-Fi, GPRS	

(1) Activation required.

Solis Single Phase Inverters

» S5-GR1P(7-10)K



Features:

- ▶ Max. efficiency 98.0%
- ▶ Max. input current **14A**
- ▶ Super high frequency switching technology
- ▶ Wide voltage range and low startup voltage
- ▶ 3 MPPT design with precise MPPT algorithm
- ▶ AFCI protection, proactively reduces fire risk
- ▶ Compact and lightweight
- ▶ Friendly and adaptable connection to the grid



Model:

- | | |
|-----------|------------|
| S5-GR1P7K | S5-GR1P8K |
| S5-GR1P9K | S5-GR1P10K |

Datasheet

Model Name	S5-GR1P7K	S5-GR1P8K	S5-GR1P9K	S5-GR1P10K
Input DC				
Recommended max. PV power	10.5 kW	12 kW	13.5 kW	15 kW
Max. input voltage	600V			
Rated voltage	330V			
Start-up voltage	120V			
MPPT voltage range	100-500V			
Max. input current	14 A / 14 A / 14 A			
Max. short circuit current	22 A / 22 A / 22 A			
MPPT number/Max. input strings number	3/3			
Output AC				
Rated output power	7 kW	8 kW	9 kW	10 kW
Max. apparent output power	7.7 kVA	8.8 kVA	9.9 kVA	10 kVA
Max. output power	7.7 kW	8.8 kW	9.9 kW	10 kW
Rated grid voltage	1/N/PE, 220 V / 230 V			
Rated grid frequency	50 Hz / 60 Hz			
Rated grid output current	31.8 A / 30.4 A	36.4 A / 34.8 A	40.9 A / 39.1 A	45.5 A / 43.5 A
Max. output current	33.7 A	36.6 A	41.3 A	45.9 A
Power Factor	>0.99 (0.8 leading - 0.8 lagging)			
THDi	<3%			
Efficiency				
Max. efficiency	98.0%			
EU efficiency	97.1%			
Protection				
DC reverse-polarity protection	Yes			
Short circuit protection	Yes			
Output over current protection	Yes			
Surge protection	Yes			
Grid monitoring	Yes			
Anti-islanding protection	Yes			
Temperature protection	Yes			
Integrated AFCI (DC arc-fault circuit protection)	Yes ⁽¹⁾			
Integrated DC switch	Optional			
General Data				
Dimensions (W*H*D)	333*579*253 mm			
Weight	18.5 kg			
Topology	Transformerless			
Self consumption (night)	<1 W			
Operating ambient temperature range	-25 ~ +60°C			
Relative humidity	0-100%			
Ingress protection	IP66			
Cooling concept	Natural convection			
Max. operation altitude	4000 m			
Grid connection standard	G98 or G99, EN 50549-1, IEC 62116, IEC 61727, IEC60068, IEC 61683, EN 50530			
Safety/EMC standard	IEC/EN 62109-1/-2, IEC/EN 61000-6-1/-2/-3/-4			
Features				
DC connection	MC4 connector			
AC connection	OT Terminal			
Display	LCD			
Communication	RS485, Optional: Wi-Fi, GPRS			

(1) Activation required.

Solis Three Phase Inverters

» S5-GR3P(3-20)K



360 degree

Efficient

- ▶ Max. efficiency 98.7%
- ▶ String current up to **16A**
- ▶ Wide voltage range and low startup voltage

Safe

- ▶ IP66
- ▶ AFCI protection, proactively reduces fire risk
- ▶ Automatic voltage stabilization technology in weak grid conditions

Smart

- ▶ Supports export power control
- ▶ Supports RS485, WiFi, GPRS
- ▶ Scan to register on SolisCloud, supports remote upgrade and control

Economic

- ▶ Compact design, simple installation and maintenance
- ▶ > 150% DC/AC ratio
- ▶ Supports high power modules for lower installation costs

Model:

S5-GR3P3K S5-GR3P4K S5-GR3P5K S5-GR3P6K S5-GR3P8K S5-GR3P9K S5-GR3P10K
S5-GR3P12K S5-GR3P13K S5-GR3P15K S5-GR3P17K S5-GR3P20K

Datasheet

Model Name	S5-GR3P3K	S5-GR3P4K	S5-GR3P5K	S5-GR3P6K	S5-GR3P8K	S5-GR3P9K	S5-GR3P10K	S5-GR3P12K	S5-GR3P13K	S5-GR3P15K	S5-GR3P17K	S5-GR3P20K
------------	-----------	-----------	-----------	-----------	-----------	-----------	------------	------------	------------	------------	------------	------------

Input DC

Recommended max. PV power	4.5 kW	6 kW	7.5 kW	9 kW	12 kW	13.5 kW	15 kW	18 kW	19.5 kW	22.5 kW	25.5 kW	30 kW
Max. input voltage	1100 V											
Rated voltage	600 V											
Start-up voltage	180 V											
MPPT voltage range	160-1000 V											
Max. input current	16 A / 16 A						32 A / 32 A					
Max. short circuit current	20 A / 20 A						40 A / 40 A					
MPPT number/Max. input strings number	2/2						2/4					

Output AC

Rated output power	3 kW	4 kW	5 kW	6 kW	8 kW	9 kW	10 kW	12 kW	13 kW	15 kW	17 kW	20 kW
Max. apparent output power	3.3 kVA	4.4 kVA	5.5 kVA	6.6 kVA	8.8 kVA	9.9 kVA	11 kVA	13.2 kVA	14.3 kVA	16.5 kVA	18.7 kVA	22 kVA
Max. output power	3.3 kW	4.4 kW	5.5 kW	6.6 kW	8.8 kW	9.9 kW	11 kW	13.2 kW	14.3 kW	16.5 kW	18.7 kW	22 kW
Rated grid voltage	3/N/PE, 220 V / 380 V, 230 V / 400 V											
Rated grid frequency	50 Hz / 60 Hz											
Rated grid output current	4.6 A / 4.3 A	6.1 A / 5.8 A	7.6 A / 7.2 A	9.1 A / 8.7 A	12.2 A / 11.5 A	13.7 A / 13.0 A	15.2 A / 14.4 A	18.2 A / 17.3 A	19.8 A / 18.8 A	22.8 A / 21.7 A	25.8 A / 24.6 A	30.4 A / 28.9 A
Max. output current	4.7 A	6.4 A	7.9 A	9.5 A	12.7 A	14.3 A	15.9 A	19.1 A	20.7 A	23.8 A	27 A	31.8 A
Power Factor	>0.99 (0.8 leading - 0.8 lagging)											
THDi	<2%											

Efficiency

Max. efficiency	98.3%			98.5%			98.6%			98.7%		
EU efficiency	97.7%			97.9%			98.0%			98.1%		

Protection

DC reverse-polarity protection	Yes											
Short circuit protection	Yes											
Output over current protection	Yes											
Surge protection	Yes											
Grid monitoring	Yes											
Anti-islanding protection	Yes											
Temperature protection	Yes											
Integrated AFCI (DC arc-fault circuit protection)	Yes ⁽¹⁾											
Integrated DC switch	Optional											

General Data

Dimensions (W*H*D)	310*563*219 mm											
Weight	17.8 kg						18.8 kg			20 kg		
Topology	Transformerless											
Self consumption (night)	<1 W											
Operating ambient temperature range	-25 ~ +60°C											
Relative humidity	0-100%											
Ingress protection	IP66											
Cooling concept	Natural convection						Intelligent redundant fan-cooling					
Max. operation altitude	4000 m											
Grid connection standard	G98 or G99, VDE-AR-N 4105 / VDE V 0124, EN 50549-1, VDE 0126 / UTE C 15 / VFR:2019, RD 1699 / RD 244 / UNE 206006 / UNE 206007-1, CEI 0-21, C10/11, NRS 097-2-1, TOR, EIFS 2018.2, IEC 62116, IEC 61727, IEC 60068, IEC 61683, EN 50530											
Safety/EMC standard	IEC/EN 62109-1/-2, IEC/EN 61000-6-1/-2/-3/-4											

Features

DC connection	MC4 connector											
AC connection	Quick connection plug											
Display	LCD											
Communication	RS485, Optional: Wi-Fi, GPRS											

(1) Activation required.

Solis Energy Storage Inverters

» RAI-3K-48ES-5G



360 degree

Features:

- ▶ Uninterrupted power supply, 20ms reaction
- ▶ Compatible with both lead-acid battery and li-ion battery
- ▶ Compatible with any existing grid-tied PV system, option to upgrade
- ▶ Off-grid backup function
- ▶ EPS function
- ▶ Intelligent EMS function
- ▶ Intelligent debugging APP which support one-click inverter configuration
- ▶ Various work mode for different application scenario
- ▶ Natural cooling without external fan



Model:

RAI-3K-48ES-5G

Datasheet

Model Name	RAI-3K-48ES-5G
Output AC (Grid side)	
Rated output power	3 kW
Max. apparent output power	3.3 kVA
Operation phase	1/N/PE
Rated grid voltage	220 V / 230 V
Grid voltage range	184-264 V
Rated grid frequency	50 Hz / 60 Hz
Rated grid output current	13.6 A / 13 A
Max. output current	20 A
Power Factor	>0.99 (0.8 leading - 0.8 lagging)
THDi	<3%
Battery	
Battery type	Li-ion / Lead-acid
Battery voltage range	40-60 V
Battery capacity	50-2000 Ah
Max. charge / discharge power	3 kW
Max. charge / discharge current	60 A
Communication	CAN
Output AC (Back-up)	
Rated output power	3kW (Requires battery voltage higher than 55 V)
Max. apparent output power	4.5 kVA
Back-up switch time	<20 ms
Rated output voltage	1/N/PE, 220 V / 230 V
Rated frequency	50 Hz / 60 Hz
Rated output current	13.6 A / 13 A
THDv (@linear load)	<3%
Input AC (Grid side)	
Input voltage range	184-264 V
Max. input current	32 A
Frequency range	45-55 Hz / 55-65 Hz
Efficiency	
Max. battery charge efficiency	94.0%
Max. battery discharge efficiency	94.5%
Protection	
Battery reverse protection	Yes
Battery over and under voltage protection	Yes
Short circuit protection	Yes
Output over current protection	Yes
Temperature protection	Yes
General Data	
Dimensions (W*H*D)	405*510*150 mm
Weight	12.1 kg
Topology	High frequency isolation
Operating ambient temperature range	-25 ~ +60°C
Ingress protection	IP65
Cooling concept	Natural convection
Max. operation altitude	2000 m
Grid connection standard	G98 or G99, VDE-AR-N 4105/VDE V 0124, EN 50549-1, VDE 0126/UTE C 15/VFR:2019, RD 1699/RD 244/UNE 206006/UNE 206007-1, CEI 0-21, C10/11, NRS 097-2-1, TOR, EIFS 2018.2, IEC 62116, IEC 61727, IEC 60068, IEC 61683, MEA, PEA
Safety/EMC standard	IEC 62477, EN 61000-6-2/-3
Features	
DC connection	Screw terminal
AC connection	Screw clamp terminal (max. 6 mm ²)
Display	LCD
Communication	RS485, CAN, Optional: Wi-Fi, GPRS

Solis Energy Storage Inverters

» S5-EH1P(3-6)K-L



360 degree

Features:

- ▶ Max. string input current **15A**
- ▶ Uninterrupted power supply, 20ms reaction
- ▶ 5kW backup power to support more important loads
- ▶ With shifting and peak shaving capabilities friendly to grid
- ▶ Multiple working modes to make maximize self-consumption, increase benefit
- ▶ Higher charge-discharge efficiency, improving the economic benefits
- ▶ Compatible with lithium & lead-acid batteries, increased more choice in different markets
- ▶ Fanless design, long lifespan
- ▶ AFCI protection, proactively reduces fire risk
- ▶ Intelligent EMS function, improving battery's reliability
- ▶ With high-frequency isolation technology, making system safer and long lifespan
- ▶ 24-hour fully intelligent energy management, Real-time grasp of PV plant status
- ▶ Remotely control & upgrade function, making digital power plant maintenance at your fingertips



Model:

- S5-EH1P3K-L S5-EH1P3.6K-L
- S5-EH1P4.6K-L S5-EH1P5K-L
- S5-EH1P6K-L

Datasheet

Model Name	S5-EH1P3K-L	S5-EH1P3.6K-L	S5-EH1P4.6K-L	S5-EH1P5K-L	S5-EH1P6K-L
Input DC (PV side)					
Recommended max. PV power	4.8 kW	5.7 kW	8 kW	8 kW	8 kW
Max. input voltage	600 V				
Rated voltage	330 V				
Start-up voltage	120 V				
MPPT voltage range	90-520 V				
Max. input current	15 A / 15 A				
Max. short circuit current	22.5 A / 22.5 A				
MPPT number/Max. input strings number	2/2				
Battery					
Battery type	Li-ion / Lead-acid				
Battery voltage range	42 - 58 V				
Battery capacity	50 - 2000 Ah				
Max. charge / discharge power	3 kW				5 kW
Max. charge / discharge current	62.5 A				100 A
Communication	CAN				
Output AC (Back-up)					
Rated output power	3 kW			5 kW	
Max. apparent output power	4.5 kVA, 10SEC			7 kVA, 10SEC	
Back-up switch time	<20 ms				
Rated output voltage	1/N/PE, 220 V / 230 V				
Rated frequency	50 Hz / 60 Hz				
Rated output current	14 A / 13.5 A			23 A / 22 A	
THDv (@linear load)	<2%				
Input AC (Grid side)					
Input voltage range	187-265 V				
Max. input current	20.5 A / 20 A	25 A / 23.5 A	31.5 A / 30 A	34.5 A / 33 A	34.5 A / 33 A
Frequency range	45-55 Hz / 55-65 Hz				
Output AC (Grid side)					
Rated output power	3 kW	3.6 kW	4.6 kW	5 kW	6 kW
Max. apparent output power	3.3 kVA	4 kVA	4.6 kVA	5.5 kVA	6.6 kVA
Operation phase	1/N/PE				
Rated grid voltage	220 V / 230 V				
Rated grid frequency	50 Hz / 60 Hz				
Rated grid output current	13.7 A / 13.1 A	16.4 A / 15.7 A	20.9 A / 20 A	22.8 A / 21.7 A	27.3 A / 26.1 A
Max. output current	15 A	18.5 A	21 A	25 A	30 A
Power Factor	>0.99 (0.8 leading - 0.8 lagging)				
THDi	<2%				
Efficiency					
Max. efficiency	>97.1%				
EU efficiency	>96.5%				
Protection					
DC reverse-polarity protection	Yes				
Short circuit protection	Yes				
Output over current protection	Yes				
Surge protection	DC Type II / AC Type II				
Ground fault monitoring	Yes				
Integrated AFCI (DC arc-fault circuit protection)	Yes ⁽¹⁾				
Protection class/Over voltage category	I/II				
General Data					
Dimensions (W*H*D)	333*505*249 mm				
Weight	18.3 kg				
Topology	High frequency isolation (for battery)				
Operating ambient temperature range	-25 ~ +60°C				
Ingress protection	IP65				
Cooling concept	Natural convection				
Max. operation altitude	3000 m				
Grid connection standard	G98 or G99, VDE-AR-N 4105/VDE V 0124, EN 50549-1, VDE 0126/UTE C 15/VFR:2019, RD 1699/RD 244/UNE 206006/UNE 206007-1, CEI 0-21, C10/11, NRS 097-2-1, TOR, EIFS 2018.2, IEC 62116, IEC 61727, IEC 60068, IEC 61683, EN 50530, MEA, PEA				
Safety/EMC standard	IEC/EN 62109-1/-2, EN 61000-6-2/-3				
Features					
DC connection	MC4 connector				
AC connection	Quick connection plug				
Display	7.0"LCD color screen display				
Communication	RS485, Optional: Wi-Fi, GPRS				

(1) Activation required.

Solis Energy Storage Inverters

» RHI-3P(5-10)K-HVES-5G



360 degree

Features:

- ▶ Max. efficiency 98.4%
- ▶ 2 MPPT and 4 DC input; Max 26A DC input current
- ▶ 3 operating modes (self-consumption; time-of-use; off-grid back-up) & programmable energy management
- ▶ Power supply can be switched automatically and switching time within 40ms
- ▶ Ensures AC backup for up to 10kW of continuous power and 16kVA of peak power
- ▶ Time of use shifting and peak shaving capabilities to grid
- ▶ AFCI protection, proactively reduces fire risk
- ▶ Intelligent EMS function
- ▶ Support three-phase imbalance on backup output port
- ▶ 24-hour fully intelligent energy management, Real-time grasp of PV plant status
- ▶ Remotely control & upgrade function, making digital power plant maintenance at your fingertips



Model:

RHI-3P5K-HVES-5G RHI-3P6K-HVES-5G
 RHI-3P8K-HVES-5G RHI-3P10K-HVES-5G

Datasheet

Model Name	RHI-3P5K-HVES-5G	RHI-3P6K-HVES-5G	RHI-3P8K-HVES-5G	RHI-3P10K-HVES-5G
Input DC (PV side)				
Recommended max. PV power	8 kW	9.6 kW	12.8 kW	16 kW
Max. input voltage	1000 V			
Rated voltage	600 V			
Start-up voltage	160 V			
MPPT voltage range	200-850 V			
Max. input current	13 A / 13 A		26 A / 13 A	26 A / 26 A
Max. short circuit current	19.5 A / 19.5 A		39 A / 19.5 A	39 A / 39 A
MPPT number/Max. input strings number	2/2		2/3	2/4
Battery				
Battery type	Li-ion			
Battery voltage range	160-600 V			
Max. charge / discharge power	5 kW	6 kW	8 kW	10 kW
Max. charge / discharge current	25 A			
Communication	CAN			
Output AC (Grid side)				
Rated output power	5 kW	6 kW	8 kW	10 kW
Max. apparent output power	5.5 kVA	6.6 kVA	8.8 kVA	10 kVA
Operation phase	3/N/PE			
Rated grid voltage	380 V / 400 V			
Rated grid frequency	50 Hz / 60 Hz			
Rated grid output current	7.6 A / 7.3 A	9.2 A / 8.7 A	12.2 A / 11.6 A	15.2 A / 14.5 A
Max. output current	8.4 A	10 A	13.4 A	16.7 A
Power Factor	>0.99 (0.8 leading - 0.8 lagging)			
THDi	<2%			
Output AC (Back-up)				
Rated output power	5 kW	6 kW	8 kW	10 kW
Peak apparent output power	10 kVA, 60 sec	12 kVA, 60 sec	16 kVA, 60 sec	16 kVA, 60 sec
Back-up switch time	< 40 ms			
Rated output voltage	3/N/PE, 380 V / 400 V			
Rated frequency	50 Hz / 60 Hz			
Rated output current	7.6 A / 7.3 A	9.2 A / 8.7 A	12.2 A / 11.6 A	15.2 A / 14.5 A
THDv (@linear load)	<2%			
Efficiency				
Max. efficiency	98.4%			
EU efficiency	97.7%			
MPPT efficiency	99.9%			
Battery charge/discharge efficiency	97.5%			
Protection				
Anti-islanding protection	Yes			
Output over current protection	Yes			
Short circuit protection	Yes			
Integrated AFCI (DC arc-fault circuit protection)	Yes ⁽¹⁾			
Integrated DC switch	Optional			
DC reverse-polarity protection	Yes			
PV over voltage protection	Yes			
Battery reverse protection	Yes			
General Data				
Dimensions (W*H*D)	535*455*185 mm			
Weight	25.1 kg			
Topology	Transformerless			
Standby consumption	<15 W			
Operating ambient temperature range	-25 ~ +60°C			
Relative humidity	0-100%			
Ingress protection	IP65			
Cooling concept	Natural convection			
Max. operation altitude	4000 m			
Grid connection standard	G98 or G99, VDE-AR-N 4105 / VDE V 0124, EN 50549-1, VDE 0126 / UTE C 15/VFR:2019, RD 1699/RD 244 / UNE 206006 / UNE 206007-1, CEI 0-21, C10/11, NRS 097-2-1, TOR, EIFS 2018.2, IEC 62116, IEC 61727, IEC 60068, IEC 61683, EN 50530, MEA, PEA			
Safety/EMC standard	IEC/EN 62109-1/-2, IEC/EN 61000-6-1/-3			
Features				
DC connection	MC4 connector			
AC connection	Quick connection plug			
Display	LCD			
Communication	RS485, Optional: Wi-Fi, GPRS			

(1) Activation required.

Solis Flexi-ONE

» S5-EH1P(3-6)K-L-UN



Solis Flexi-ONE Midi

S5-EH1P
3K / 3.6K / 4.6K / 5K / 6K
-L-UN

Solis Flexi-ONE Maxi

S5-EH1P
3K / 3.6K / 4.6K / 5K / 6K
-L-UN-EX

Solis Flexi-ONE Expansion Box

S5-EH-UN-EX

Uniquely Flexible

- ▶ Choose your own batteries from compatible manufacturers
- ▶ Quick installation
- ▶ Compatible battery capacity up to 20kW·h
- ▶ Built-in distribution block, removing inverter core without affecting backup loads

High performance

- ▶ 20ms switching time between on-grid mode and off-grid mode
- ▶ Grid output power up to 6kW
- ▶ Charge/Discharge current up to 100A
- ▶ PV input power up to 8kW, PV input current up to 15A
- ▶ 5kW backup power to support more important loads
- ▶ AC input current up to 34.5A, support backup load running and battery charging at the same time

Intelligent Integration

- ▶ Integrated backup bypass switch
- ▶ AFCI protection, proactively reduces fire risk
- ▶ Integrated PV, grid and battery switches
- ▶ Dual protection with fuse and isolator

Multiple functions

- ▶ Integrated bluetooth supports APP commissioning
- ▶ Multiple working modes to maximize self-consumption
- ▶ Intelligent EMS function
- ▶ 24-hour energy management via SolisCloud
- ▶ Remote control & firmware upgrade

Datasheet

Model Name	S5-EH1P3K -L-UN	S5-EH1P3.6K -L-UN	S5-EH1P4.6K -L-UN	S5-EH1P5K -L-UN	S5-EH1P6K -L-UN	S5-EH1P3K -L-UN-EX	S5-EH1P3.6K -L-UN-EX	S5-EH1P4.6K -L-UN-EX	S5-EH1P5K -L-UN-EX	S5-EH1P6K -L-UN-EX
------------	--------------------	----------------------	----------------------	--------------------	--------------------	-----------------------	-------------------------	-------------------------	-----------------------	-----------------------

Battery Compatibility (to be continued)

Nominal capacity range	2.4-12 kW·h					9.6-20 kW·h				
Pylontech US2000	1-3 pcs, 2.4 kW·h / 4.8 kW·h / 7.2 kW·h					4-6 pcs, 9.6 kW·h / 12 kW·h / 14.4 kW·h				
Pylontech US3000	1-2 pcs, 3.55 kW·h / 7.1 kW·h					3-4 pcs, 10.65 kW·h / 14.2 kW·h				
UZ energy L051100-A	1-2 pcs, 5.0 kW·h / 10 kW·h					3-4 pcs, 15.0 kW·h / 20 kW·h				
Dyness B4850	1-3 pcs, 2.4 kW·h / 4.8 kW·h / 7.2 kW·h					4-6 pcs, 9.6 kW·h / 12 kW·h / 14.4 kW·h				
LG Chem RESU 6.5	1 pcs, 6.5 kW·h					/				
LG Chem RESU 10	1 pcs, 10 kW·h					/				

Input DC (PV side)

Recommended max. PV power	4.8 kW	5.7 kW	8 kW			4.8 kW	5.7 kW	8 kW		
Max. input voltage						600 V				
Rated voltage						330 V				
Start-up voltage						120 V				
MPPT voltage range						90-520 V				
Max. input current						15 A / 15 A				
Max. short circuit current						22.5 A / 22.5 A				
MPPT number/Max. input strings number						2/2				

Battery Charging/Discharging

Battery voltage range	42-58 V											
Max. charge/discharge power	3 kW			5 kW			3 kW			5 kW		
Max. charge/discharge current	62.5 A			100 A			62.5 A			100 A		
Communication	CAN											

Output AC (Back-up)

Rated output power	3 kW		3.6 kW		5 kW			3 kW		3.6 kW		5 kW		
Max. apparent output power	4.5 kVA, 10 s		5.4 kVA, 10 s		7 kVA, 10 s			4.5 kVA, 10 s		5.4 kVA, 10 s		7 kVA, 10 s		
Back-up switch time	<20 ms													
Rated output voltage	1/N/PE, 220 V / 230 V													
Rated frequency	50 Hz / 60 Hz													
Rated output current	13.7 A / 13.1 A		16.3 A / 15.7 A		22.8 A / 21.7 A			13.7 A / 13.1 A		16.3 A / 15.7 A		22.8 A / 21.7 A		
THDv (@linear load)	<2%													

Output AC (Grid side)

Rated output power	3 kW		3.6 kW		4.6 kW		5 kW		6 kW		3 kW		3.6 kW		4.6 kW		5 kW		6 kW	
Max. apparent output power	3.3 kVA		4 kVA		4.6 kVA		5.5 kVA		6 kVA		3.3 kVA		4 kVA		4.6 kVA		5.5 kVA		6 kVA	
Rated grid voltage	1/N/PE, 220 V / 230 V																			
Rated grid frequency	50 Hz / 60 Hz																			
Rated grid output current	13.7 A / 13.1 A		16.4 A / 15.7 A		20.9 A / 20.0 A		22.8 A / 21.7 A		27.3 A / 26.1 A		13.7 A / 13.1 A		16.4 A / 15.7 A		20.9 A / 20.0 A		22.8 A / 21.7 A		27.3 A / 26.1 A	
Max. output current	15 A		18.2 A		21.0 A		25.0 A		27.3 A		15 A		18.2 A		21.0 A		25.0 A		27.3 A	
Power Factor	>0.99 (0.8 leading - 0.8 lagging)																			
THDi	<2%																			

General Data

Dimensions (H*W*D)	1146*691*375 mm					1786*691*375 mm				
Weight (without battery)	46 kg					58.3 kg				
Topology	High frequency isolation (for battery)									
Operating ambient temperature range	-20 ~ +60°C (INV), system based on battery specification									
Ingress protection	IP54									
Cooling concept	Intelligent redundant fan-cooling									
Max. operation altitude	3000 m									
Grid connection standard	G98, G99, CEI 0-21, AS/NZS 4777.2:2020									
Safety/EMC standard	IEC62109-1/-2, EN61000-6-2, EN61000-6-3									

Model Name	All models
------------	------------

Input AC (Grid side)

Input voltage range	187-265 V
Max. input current	34.5 A
Frequency range	45-55 Hz / 55-65 Hz

Protection

Ground fault monitoring	Yes
Residual current monitoring	Yes
Integrated AFCI (DC arc-fault circuit protection)	Yes ⁽¹⁾
DC reverse polarity protection	Yes
Protection class	CLASS I
Over voltage category	II (PV), III (MAINS)
Intelligent temperature protection	Yes

Model Name	All models
------------	------------

Efficiency

Max. efficiency	97.5%
EU efficiency	96.8%
MPPT efficiency	>99.9%

Features

DC connection	MC4 connector
AC connection	Quick connection plug
Display	LED
Communication	COM, DRM, RS485, dry contact, Bluetooth (internal)

(1) Activation required.

Solis Energy Storage Inverters

» S5-E01P(4-5)K-48



360 degree

Flexible Communications

- ▶ Integrated LCD display
- ▶ Built-in bluetooth communication
- ▶ Remote control & firmware upgrade

Adaptive

- ▶ Configurable AC/solar input priority based on applications
- ▶ Parallel operation up to 10 units (50kW)
- ▶ Support 3 phase unbalanced parallel operation
- ▶ Intelligent EMS function

High Performance

- ▶ 80 Amp AC charger and 100 Amp solar charger
- ▶ Maximum PV input voltage up to 500VDC
- ▶ Built-in MPPT solar charge controller

Battery Friendly

- ▶ Compatible with all top-tier brands of lithium batteries and lead-acid batteries
- ▶ Battery equalization for increased battery performance and lifespan
- ▶ Functional with or without a battery
- ▶ One-click fast charging mode
- ▶ Manual wakeup the overdischarged battery to extend battery lifespan

Model: S5-E01P4K-48 S5-E01P4K-48-P S5-E01P5K-48 S5-E01P5K-48-P

Datasheet

Model Name	S5-E01P4K-48	S5-E01P4K-48-P	S5-E01P5K-48	S5-E01P5K-48-P
Parallel capability	NO	Yes, 10 units	NO	Yes, 10 units

Battery

Rated battery voltage	48 V
Battery type	Li-ion / Lead-acid
Max. charge / discharge current	100 A
Communication	CAN/RS485

Inverter Output

Rated output power	4 kVA / 4 kW	5 kVA / 5 kW
Rated output voltage	230 V ± 1%	
Rated frequency	50 Hz / 60 Hz ± 0.1%	
Surge capacity	8 kVA	10 kVA
Output voltage waveform	Pure sine wave	
Transfer time	10 ms typical, 20 ms Max	
THDv (@linear load)	<3%	
Peak efficiency (PV-AC)	96.7%	

Solar Charger

Solar charger type	MPPT	
Recommended max. PV power	5 kW	5.5 kW
Max. input voltage	500 V	
MPPT voltage range	90-480 V	
MPPT number/Max. input strings number	1/2	
Max. input current per MPPT	26 A ⁽¹⁾	
Max. solar charge current	100 A	

AC Charger

Rated input voltage	230 V	
Selectable voltage range	90-280 V	
AC frequency range	50 Hz / 60 Hz (Auto sensing)	
Max. AC charge current	60 A	80 A

Protection

Output over voltage protection	Yes
Output over current protection	Yes
Short circuit protection	Yes
Surge protection	Yes
Temperature protection	Yes
Integrated AFCI (DC arc-fault circuit protection)	Yes

General Data

Dimensions (W*H*D)	335*450*160 mm
Weight	14 kg
Relative humidity	5% to 95% (Non-condensing)
Operating ambient temperature range	-10 ~ +60°C
Storage temperature range	-25 ~ +60°C
Ingress protection	IP21
Max. operation altitude	2000 m
Safety standard	IEC 62109, IEC 61000

Features

DC connection	Terminal connectors
AC connection	Terminal connectors
Display	LCD
Communication	CAN, BMS, RS485, Dry-contact, Bluetooth, Optional: Wi-Fi

(1) Max. input current per string will be 26A for one string's design and 13A for two strings' design;
Max. input short current per string will be 32A for one string's design and 16A for two strings' design.

Solis Three Phase Inverters

» S5-GC(25-40)K



Efficient

- ▶ Max. efficiency 98.7%
- ▶ String current up to **16A**
- ▶ 3/4 MPPT design, supports multiple orientation system design
- ▶ Night time PID recovery function, increases overall system yield (optional)
- ▶ Wide voltage range and low startup voltage

Smart

- ▶ Supports export power control
- ▶ Intelligent string monitoring, smart I-V curve scan
- ▶ Supports RS485, WiFi, GPRS
- ▶ Scan to register on SolisCloud, supports remote upgrade and control

Safe

- ▶ IP66
- ▶ AFCI protection, proactively reduces fire risk
- ▶ Globally recognised branded componentry for longer life
- ▶ Intelligent redundant fan-cooling

Economic

- ▶ Supports GPRS/WiFi communication with less wiring and reduced installation costs
- ▶ > 150% DC/AC ratio
- ▶ Supports high power modules for lower installation costs
- ▶ Supports aluminium wire access to reduce cost

Model: 400V: S5-GC25K S5-GC30K S5-GC33K S5-GC36K S5-GC40K

Datasheet

Model Name	S5-GC25K	S5-GC30K	S5-GC33K	S5-GC36K	S5-GC40K
Input DC					
Recommended max. PV power	37.5 kW	45 kW	49.5 kW	54 kW	60 kW
Max. input voltage	1100 V				
Rated voltage	600 V				
Start-up voltage	180 V				
MPPT voltage range	200-1000 V				
Max. input current	32 A / 32 A / 32 A			4*32 A	
Max. short circuit current	40 A / 40 A / 40 A			4*40 A	
MPPT number/Max. input strings number	3/6			4/8	
Output AC					
Rated output power	25 kW	30 kW	33 kW	36 kW	40 kW
Max. apparent output power	27.5 kVA	33 kVA	36.3 kVA	39.6 kVA	44 kVA
Max. output power	27.5 kW	33 kW	36.3 kW	39.6 kW	44 kW
Rated grid voltage	3/N/PE, 220 V / 380 V, 230 V / 400 V				
Rated grid frequency	50 Hz / 60 Hz				
Rated grid output current	38.0 A / 36.1 A	45.6 A / 43.3 A	50.1 A / 47.6 A	54.7 A / 52.0 A	60.8 A / 57.7 A
Max. output current	41.8 A	50.2 A	55.1 A	60.2 A	66.9 A
Power Factor	>0.99 (0.8 leading - 0.8 lagging)				
THDi	<3%				
Efficiency					
Max. efficiency	98.5%		98.6%		98.7%
EU efficiency	98.1%		98.2%		98.3%
Protection					
DC reverse-polarity protection	Yes				
Short circuit protection	Yes				
Output over current protection	Yes				
Surge protection	DC Type II / AC Type II				
Grid monitoring	Yes				
Anti-islanding protection	Yes				
Temperature protection	Yes				
Strings monitoring	Yes				
I/V Curve scanning	Yes				
Integrated PID recovery	Optional				
Integrated AFCI (DC arc-fault circuit protection)	Yes ⁽¹⁾				
Integrated DC switch	Optional				
General Data					
Dimensions (W*H*D)	647*629*252 mm				
Weight	37 kg				
Topology	Transformerless				
Self consumption (night)	<1 W				
Operating ambient temperature range	-25 ~ +60°C				
Relative humidity	0-100%				
Ingress protection	IP66				
Cooling concept	Intelligent redundant fan-cooling				
Max. operation altitude	4000 m				
Grid connection standard	G98 or G99, VDE-AR-N 4105 / VDE V 0124, EN 50549-1, VDE 0126 / UTE C 15 / VFR:2019, RD 1699 / RD 244 / UNE 206006 / UNE 206007-1, CEI 0-21, C10/11, NRS 097-2-1, TOR, EIFS 2018.2, IEC 62116, IEC 61727, IEC60068, IEC 61683, EN 50530				
Safety/EMC standard	IEC/EN 62109-1/-2, IEC/EN 61000-6-1/-2/-3/-4				
Features					
DC connection	MC4 connector				
AC connection	OT terminal				
Display	LCD				
Communication	RS485, Optional: Wi-Fi, GPRS				

(1) Activation required.

Solis Three Phase Inverters

» S5-GC(50-60)K



360 degree

Efficient

- ▶ Max. efficiency 98.7%
- ▶ String current up to **16A**
- ▶ 5/6 MPPT design, supports multiple orientation system design
- ▶ Night time PID recovery function, increases overall system yield (optional)

Smart

- ▶ Night SVG function
- ▶ Supports export power control
- ▶ Intelligent string monitoring, smart I-V curve scan
- ▶ Scan to register on SolisCloud, supports remote upgrade and control

Safe

- ▶ IP66, C5 Anti-Corrosion Level
- ▶ Intelligent redundant fan-cooling
- ▶ Globally recognised branded componentry for longer life
- ▶ AFCI protection, proactively reduces fire risk

Economic

- ▶ Supports GPRS/WiFi communication with less wiring and reduced installation costs
- ▶ DC side supports "Y" connector
- ▶ Supports aluminium wire access to reduce cost
- ▶ 10/12 string inputs allow for 150%+ DC oversizing

Model: 400V: S5-GC50K S5-GC60K

Datasheet

Model Name	S5-GC50K	S5-GC60K
Input DC		
Max. input voltage	1100 V	
Rated voltage	600 V	
Start-up voltage	195 V	
MPPT voltage range	180-1000 V	
Max. input current	5*32 A	6*32 A
Max. short circuit current	5*40 A	6*40 A
MPPT number/Max. input strings number	5/10	6/12
Output AC		
Rated output power	50 kW	60 kW
Max. apparent output power	55 kVA	66 kVA
Max. output power	55 kW	66 kW
Rated grid voltage	3/N/PE, 220 V / 380 V, 230 V / 400 V	
Rated grid frequency	50 Hz / 60 Hz	
Rated grid output current	76.0 A / 72.2 A	91.2 A / 86.6 A
Max. output current	83.6 A	100.3 A
Power Factor	>0.99 (0.8 leading - 0.8 lagging)	
THDi	<3%	
Efficiency		
Max. efficiency	98.7%	
EU efficiency	98.3%	
Protection		
DC reverse-polarity protection	Yes	
Short circuit protection	Yes	
Output over current protection	Yes	
Surge protection	DC Type II / AC Type II	
Grid monitoring	Yes	
Anti-islanding protection	Yes	
Temperature protection	Yes	
Strings monitoring	Yes	
I/V Curve scanning	Yes	
Integrated AFCI (DC arc-fault circuit protection)	Yes ⁽¹⁾	
Integrated PID recovery	Optional ⁽²⁾	
Integrated DC switch	Optional	
General Data		
Dimensions (W*H*D)	691*578*338 mm	
Weight	54.5 kg	
Topology	Transformerless	
Self consumption (night)	<1 W	
Operating ambient temperature range	-25 ~ +60°C	
Relative humidity	0-100%	
Ingress protection	IP66	
Cooling concept	Intelligent redundant fan-cooling	
Max. operation altitude	4000 m	
Grid connection standard	G98 or G99, VDE-AR-N 4105 / VDE V 0124, EN 50549-1, VDE 0126 / UTE C 15 / VFR:2019, RD 1699 / RD 244 / UNE 206006 / UNE 206007-1, CEI 0-21, C10/11, NRS 097-2-1, TOR, EIFS 2018.2, IEC 62116, IEC 61727, IEC60068, IEC 61683, EN 50530	
Safety/EMC standard	IEC 62109-1/-2, IEC62116 & IEC 61000-6-1/-2/-3/-4	
Features		
DC connection	MC4 connector	
AC connection	OT terminal (max. 70 mm ²)	
Display	LCD, Capacitive touch buttons	
Communication	RS485, USB, Optional: Wi-Fi, GPRS	

(1) Activation required.

(2) Due to the similar functional logic, when the night time PID-Recovery function is integrated, the night time var compensation function can not be used. Also, the negative grounding option is not available for inverters with night time PID-Recovery function.

Solis Three Phase Inverters

» Solis-80K-5G



360 degree

Efficient

- ▶ 9 MPPTs, max. efficiency 98.7%
- ▶ > 150% DC/AC ratio
- ▶ Compatible with bifacial modules

Smart

- ▶ Night SVG function
- ▶ Intelligent string monitoring, smart I-V curve scan
- ▶ Remote firmware upgrade with simple operation

Safe

- ▶ IP66
- ▶ Built-in PID recovery for better module performance (optional)
- ▶ AFCI protection, proactively reduces fire risk
- ▶ Globally recognised branded componentry for longer life

Economic

- ▶ Power line communication (PLC) (optional)
- ▶ DC side supports "Y" connector
- ▶ Supports aluminium wire access to reduce cost

Model: 400V: Solis-80K-5G

Datasheet

Model Name	Solis-80K-5G
Input DC	
Max. input voltage	1100 V
Rated voltage	600 V
Start-up voltage	195 V
MPPT voltage range	180-1000 V
Max. input current	9*26 A
Max. short circuit current	9*40 A
MPPT number/Max. input strings number	9/18
Output AC	
Rated output power	80 kW
Max. apparent output power	88 kVA
Max. output power	88 kW
Rated grid voltage	3/N/PE, 220 V / 380 V, 230 V / 400 V
Rated grid frequency	50 Hz / 60 Hz
Rated grid output current	121.6 A / 115.5 A
Max. output current	133.7 A
Power Factor	>0.99 (0.8 leading - 0.8 lagging)
THDi	<3%
Efficiency	
Max. efficiency	98.7%
EU efficiency	98.3%
Protection	
DC reverse-polarity protection	Yes
Short circuit protection	Yes
Output over current protection	Yes
Surge protection	DC Type II / AC Type II
Grid monitoring	Yes
Anti-islanding protection	Yes
Temperature protection	Yes
Strings monitoring	Yes
I/V Curve scanning	Yes
Integrated PID recovery	Optional
Integrated AFCI (DC arc-fault circuit protection)	Yes ⁽¹⁾
Integrated DC switch	Yes
Integrated AC switch	Optional
General Data	
Dimensions (W*H*D)	1050*567*314.5 mm (with AC switch)
Weight	82 kg
Topology	Transformerless
Self consumption (night)	<2 W
Operating ambient temperature range	-25 ~ +60°C
Relative humidity	0-100%
Ingress protection	IP66
Cooling concept	Intelligent redundant fan-cooling
Max. operation altitude	4000 m
Grid connection standard	G98 or G99, VDE-AR-N 4105 / VDE V 0124, EN 50549-1, VDE 0126 / UTE C 15 / VFR:2019, CEI 0-21, C10/11, NRS 097-2-1, TOR, EIFS 2018.2, IEC 62116, IEC 61727, IEC 60068, IEC 61683, EN 50530
Safety/EMC standard	IEC/EN 62109-1/-2, IEC/EN 61000-6-2/-4
Features	
DC connection	MC4 connector
AC connection	OT terminal (max. 185 mm ²)
Display	LCD
Communication	RS485, Optional: Wi-Fi, GPRS, PLC

(1) Activation required.

Solis Three Phase Inverters

» Solis-(100-110)K-5G



360 degree

Efficient

- ▶ 10 MPPTs, max. efficiency 98.7%
- ▶ > 150% DC/AC ratio
- ▶ High power tracking density 90MPPT/MW
- ▶ Compatible with bifacial modules

Safe

- ▶ AFCI protection, proactively reduces fire risk
- ▶ Built-in PID recovery for better module performance (optional)
- ▶ Type I SPD for AC (optional)
- ▶ Overvoltage load reduction and leakage current suppression technology, low failure rate
- ▶ Globally recognised branded componentry for longer life

Smart

- ▶ Night SVG function
- ▶ Intelligent string monitoring, smart I-V curve scan
- ▶ Remote firmware upgrade with simple operation

Economic

- ▶ Power line communication (PLC) (optional)
- ▶ DC side supports "Y" connector
- ▶ Supports aluminium wire access to reduce cost

Model: 400V: Solis-100K-5G Solis-110K-5G

Datasheet

Model Name	Solis-100K-5G	Solis-110K-5G
Input DC		
Max. input voltage	1100 V	
Rated voltage	600 V	
Start-up voltage	195 V	
MPPT voltage range	180-1000 V	
Max. input current	10*26 A	
Max. short circuit current	10*40 A	
MPPT number/Max. input strings number	10/20	
Output AC		
Rated output power	100 kW	110 kW
Max. apparent output power	110 kVA	121 kVA
Max. output power	110 kW	121 kW
Rated grid voltage	3/N/PE, 220 V / 380 V, 230 V / 400 V	
Rated grid frequency	50 Hz / 60 Hz	
Rated grid output current	152.0 A / 144.3 A	167.1 A / 158.8 A
Max. output current	167.1 A	183.8 A
Power Factor	>0.99 (0.8 leading - 0.8 lagging)	
THDi	<3%	
Efficiency		
Max. efficiency	98.7%	
EU efficiency	98.3%	
Protection		
DC reverse-polarity protection	Yes	
Short circuit protection	Yes	
Output over current protection	Yes	
Surge protection	DC Type II / AC Type II (AC Type I optional)	
Grid monitoring	Yes	
Anti-islanding protection	Yes	
Temperature protection	Yes	
Strings monitoring	Yes	
I/V Curve scanning	Yes	
Integrated PID recovery	Optional	
Integrated AFCI (DC arc-fault circuit protection)	Yes ⁽¹⁾	
Integrated DC switch	Yes	
Integrated AC switch	Optional	
General Data		
Dimensions (W*H*D)	1065*567*344.5 mm	
Weight	91 kg	
Topology	Transformerless	
Self consumption (night)	<2 W	
Operating ambient temperature range	-25 ~ +60°C	
Relative humidity	0-100%	
Ingress protection	IP66	
Cooling concept	Intelligent redundant fan-cooling	
Max. operation altitude	4000 m	
Grid connection standard	VDE-AR-N 4105, VDE V 0124, VDE V 0126-1-1, UTE C15-712-1, NRS 097-1-2, G98, G99, EN 50549-1/-2, RD 1699, UNE 206006, UNE 206007-1, CEI 0-21, IEC61727, DEWA	
Safety/EMC standard	IEC/EN 62109-1/-2, IEC/EN 61000-6-2/-4	
Features		
DC connection	MC4 connector	
AC connection	OT terminal (max. 185 mm ²)	
Display	LCD	
Communication	RS485, Optional: Wi-Fi, GPRS, PLC	

(1) Activation required.

Solis Three Phase Inverters

» S5-GC(100-110)K



360 degree

Efficient

- ▶ 10 MPPTs, max. efficiency 98.7%
- ▶ > 150% DC/AC ratio
- ▶ High power tracking density 90MPPT/MW
- ▶ String current up to **16A**, perfectly match large current bifacial modules

Safe

- ▶ AFCI protection, proactively reduces fire risk
- ▶ Built-in PID recovery for better module performance (optional)
- ▶ Type I SPD for AC (optional)
- ▶ Overvoltage load reduction and leakage current suppression technology, low failure rate
- ▶ Globally recognised branded componentry for longer life

Smart

- ▶ Night SVG function
- ▶ Intelligent string monitoring, smart I-V curve scan
- ▶ Remote firmware upgrade with simple operation

Economic

- ▶ Power line communication (PLC) (optional)
- ▶ DC side supports "Y" connector
- ▶ Supports aluminium wire access to reduce cost

Model: 400V: S5-GC100K S5-GC110K

Datasheet

Model Name	S5-GC100K	S5-GC110K
Input DC		
Max. input voltage	1100 V	
Rated voltage	600 V	
Start-up voltage	195 V	
MPPT voltage range	180-1000 V	
Max. input current	10*32 A	
Max. short circuit current	10*50 A	
MPPT number/Max. input strings number	10/20	
Output AC		
Rated output power	100 kW	110 kW
Max. apparent output power	110 kVA	121 kVA
Max. output power	110 kW	121 kW
Rated grid voltage	3/N/PE, 220 V / 380 V, 230 V / 400 V	
Rated grid frequency	50 Hz / 60 Hz	
Rated grid output current	152.0 A / 144.3 A	167.1 A / 158.8 A
Max. output current	167.1 A	183.8 A
Power Factor	>0.99 (0.8 leading - 0.8 lagging)	
THDi	<3%	
Efficiency		
Max. efficiency	98.7%	
EU efficiency	98.3%	
Protection		
DC reverse-polarity protection	Yes	
Short circuit protection	Yes	
Output over current protection	Yes	
Surge protection	DC Type II / AC Type II (AC Type I optional)	
Grid monitoring	Yes	
Anti-islanding protection	Yes	
Temperature protection	Yes	
Strings monitoring	Yes	
I/V Curve scanning	Yes	
Integrated PID recovery	Optional	
Integrated AFCI (DC arc-fault circuit protection)	Yes ⁽¹⁾	
Integrated DC switch	Yes	
Integrated AC switch	Optional	
General Data		
Dimensions (W*H*D)	1065*567*344.5 mm	
Weight	91 kg	
Topology	Transformerless	
Self consumption (night)	<2 W	
Operating ambient temperature range	-25 ~ +60°C	
Relative humidity	0-100%	
Ingress protection	IP66	
Cooling concept	Intelligent redundant fan-cooling	
Max. operation altitude	4000 m	
Grid connection standard	VDE-AR-N 4105, VDE V 0124, VDE V 0126-1-1, UTE C15-712-1, NRS 097-1-2, G98, G99, EN 50549-1/-2, RD 1699, UNE 206006, UNE 206007-1, CEI 0-21, IEC61727, DEWA	
Safety/EMC standard	IEC/EN 62109-1/-2, IEC/EN 61000-6-1/-2/-3/-4	
Features		
DC connection	MC4 connector	
AC connection	OT terminal (max. 185 mm ²)	
Display	LCD	
Communication	RS485, Optional: Wi-Fi, GPRS, PLC	

(1) Activation required.

Solis Three Phase Inverters

» Solis-(215-255)K-EHV-5G



Efficient

- ▶ 9/12/14 MPPTs, max. efficiency 99.0%
- ▶ > 150% DC/AC ratio
- ▶ High power tracking density 60MPPT/MW
- ▶ Compatible with 500W+ bifacial modules

Safe

- ▶ IP66
- ▶ Built-in PID recovery for better module performance
- ▶ Fuse free design, safe and maintenance free
- ▶ Globally recognised branded componentry for longer life

Smart

- ▶ Night SVG function
- ▶ Intelligent string monitoring, smart I-V curve scan
- ▶ Remote firmware upgrade with simple operation

Economic

- ▶ Power line communication (PLC) (optional)
- ▶ DC side supports "Y" connector
- ▶ Supports aluminium wire access to reduce cost
- ▶ Reserve DC energy storage access

Model: **800V:** Solis-215K-EHV-5G-PLUS Solis-255K-EHV-5G Solis-255K-EHV-5G-PLUS

Datasheet

Model Name	Solis-215K-EHV-5G-PLUS	Solis-255K-EHV-5G	Solis-255K-EHV-5G-PLUS
Input DC			
Max. input voltage	1500 V		
Rated voltage	1080 V		
Start-up voltage	500 V		
MPPT voltage range	480-1500 V		
Max. input current	9*30 A	14*26 A	12*30 A
Max. short circuit current	9*50 A	14*40 A	12*50 A
MPPT number/Max. input strings number	9/18	14/28	12/24
Output AC			
Output power	215 kVA @ 30°C / 205 kVA @ 40°C / 195 kVA @ 50°C	255 kVA @ 30°C / 235 kVA @ 40°C / 220 kVA @ 50°C	255 kVA @ 30°C / 235 kVA @ 40°C / 220 kVA @ 50°C
Rated grid voltage	3/PE, 800 V		
Grid voltage range	640-920 V		
Rated grid frequency	50 Hz / 60 Hz		
Max. output current	155.2 A	184.0 A	184.0 A
Power Factor	>0.99 (0.8 leading - 0.8 lagging)		
THDi	<3%		
Efficiency			
Max. efficiency	99.0%		
EU efficiency	98.8%	98.7%	98.8%
Protection			
DC reverse-polarity protection	Yes		
Short circuit protection	Yes		
Output over current protection	Yes		
Surge protection	DC Type II / AC Type II		
Grid monitoring	Yes		
Anti-islanding protection	Yes		
Temperature protection	Yes		
Strings monitoring	Yes		
I/V Curve scanning	Yes		
Night time SVG function	Yes		
Integrated PID recovery	Yes		
Integrated DC switch	Yes		
General Data			
Dimensions (W*H*D)	1125*770*384 mm		
Weight	109 kg	113 kg	
Topology	Transformerless		
Self consumption (night)	<2 W		
Operating ambient temperature range	-25 ~ +60°C		
Relative humidity	0-100%		
Ingress protection	IP66		
Cooling concept	Intelligent redundant fan-cooling		
Max. operation altitude	4000 m		
Grid connection standard	EN50549, G99, AS4777.2, VDE0126, IEC61727, VDE4110, CEA 2019		
Safety/EMC standard	IEC/EN 62109-1/-2, IEC/EN 61000-6-2/-4		
Features			
DC connection	MC4 connector		
AC connection	OT terminal (max. 300 mm ²)		
Display	LCD		
Communication	RS485, Optional: PLC		

Solis PV Station

» Solis-6300-MV

For 1500 V string inverter Solis 255K



Integrated delivery

- ▶ Mainstream 6.3MW subarray, widely used global
- ▶ 20 foot standard container delivery, easy to transport

Convenient installation

- ▶ A complete solution, from inverter to main step-up transformer
- ▶ When the container is lifted to the foundation, only LV and MV cables need to be connected

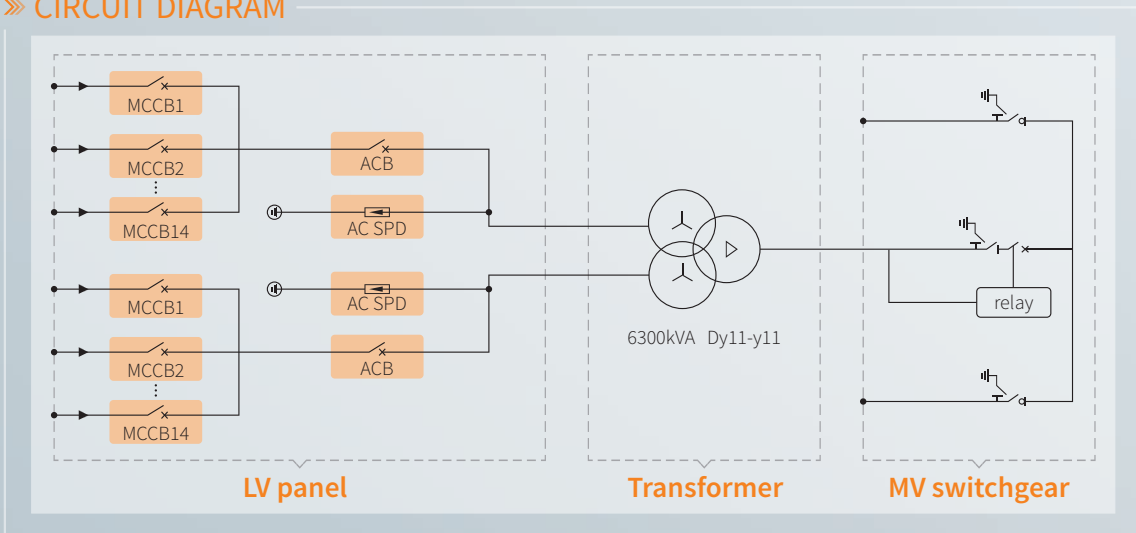
Reliable products

- ▶ LV panel, transformer and RMU be placed independently
- ▶ Adopt international first-line brand equipment with reliable quality

Easy O&M

- ▶ Full frontal maintenance design
- ▶ Modular design of MV equipment, easy to replace

» CIRCUIT DIAGRAM



Datasheet

Model Name	Solis-6300-MV
------------	---------------

LV panel

MCCB specification	250 A / 800 Vac / 3P, 14*2 pcs
ACB specification	3200 A / 800 Vac / 3P, 1*2 pcs
Connection form with transformer	Copper busbar

Transformer

Transformer type	Oil immersed
Rated output power	6300 kVA @ 40°C
Max. output power	6930 kVA @ 40°C 3h
LV/MV voltage	0.8 kV / 20-35 kV
Max. input current	2577 A *2
Tapping on HV	±2*2.5%
Vector group	Dy11y11
Frequency	50 Hz / 60 Hz
Cooling type	ONAN
Impedance	7.5%
Oil type	Mineral oil (Optional: plant oil)
Winding material	Al/Al (Optional: Cu/Cu)
Insulation class	A
Connection form with MV switchgear	Cable

MV Switchgear

Type of insulate	SF6
Rate voltage	24-36 kV
Rate current	630 A
Internal arcing fault	20 kA / 1 s
Qty of feeder	3 feeders

Protection

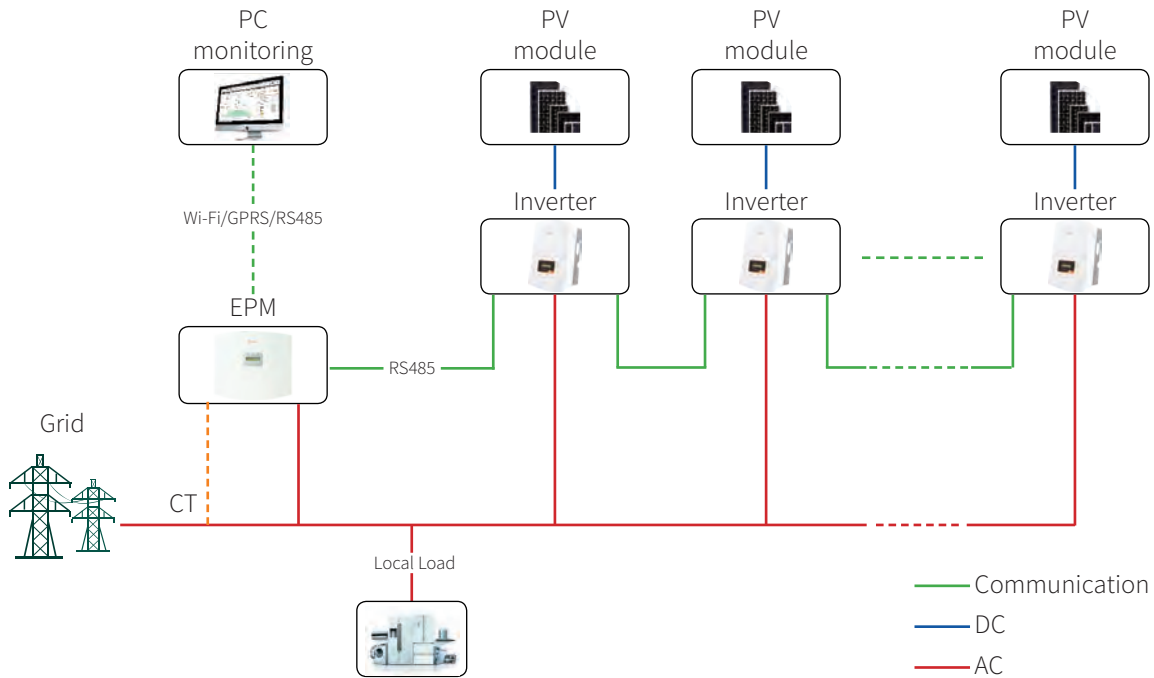
LV surge protection	AC type I+II
AC input protection	Circuit breaker
Transformer protection	Oil-temperature, oil-level, oil-pressure
Fire protection	Smoke detection, emergency lighting

General Data

Dimensions (W*H*D)	6058*2896*2438 mm
Approximate weight	24 T
Operating temperature range	-25 ~ +60°C
Operating altitude	1000 m (standard)
Auxiliary power supply	5 kVA / 230 V (Optional: max. 40 kVA)
UPS	1 kVA 30 min (Optional: max. 2 kVA 2h)
Degree of protection	IP54
Allowable relative humidity range	0-95%
Communication	RS485, Ethernet, Optical fiber
Compliance	IEC 60076, IEC 62271, IEC61439

Accessories

» Solis Export Power Manager



Smart & strong

- Simultaneous control of 80 X Solis inverters
- Realizing reactive compensation of the system, which ensure the power factor of the system is up to standard

Saving & high precision

- Simultaneously monitor the operating data of the 80 X Solis inverter, saving the cost of the monitoring system
- The control accuracy is up to 3%, which improves the system's spontaneous use rate

Friendly & compatible

- Supports simultaneous access of Solis inverters with different powers
- Monitor power generation and load consumption at all times

Datasheet

Model Name	Solis-EPM1-5G	Solis-EPM3-5G	Solis-EPM3-5G-PLUS
------------	---------------	---------------	--------------------

Input AC

Rated voltage	230 V, 1/N/PE	400 V, 3/N/PE or 3/PE	400 V, 3/N/PE
Input voltage range	L to N: 100~277 V L to L: 176~480 V		L to N: 100~263 V
Input frequency range	45~65 Hz		

Communication

Inverter communication	Modbus RS485		
Communication interface	2pin RS485		2pin RS485, RJ45
Max. communication inverter numbers	10	10	80 ⁽¹⁾
Max. communication distance	1000 m		
Monitoring	S3-GPRS-ST or S3-WiFi-ST		DLB-W (Built in)

General Data

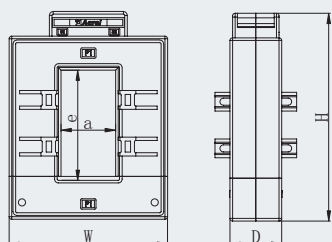
Ambient temperature	-25 ~ +60°C		
Relative humidity	5%~95%		
Ingress protection	IP65		
Self consumption	<5 W		<15 W
Dimensions (W*H*D)	364*276*114 mm		488*446*149 mm
Weight	2.1 kg		5.4 kg
AC connection	Quick connection terminal		
Display	LCD		
CT connection	Plug terminal		
CT specification	Optional (5 A) ⁽³⁾		

Features

Failsafe function	Yes
Remote upgraded	Yes ⁽²⁾
Control time	5 s
Power Accuracy	3%

CT specification

Specification	Dimensions (mm)			Hole size (mm)		Ratio
	W	H	D	a	e	
CT-30×20-100 A	90	114	40	22	32	100:5 A
CT-60×40-300 A	114	140	36	42	62	300:5 A
CT-80×40-600 A	122	162	40	42	82	600:5 A
CT-80×40-1000 A	122	162	40	42	82	1000:5 A
CT-160×80-2000 A	184	254	52	82	162	2000:5 A
CT-160×80-3000 A	184	254	52	82	162	3000:5 A



(1) The AC capacity of EPM system should not exceed 2MW.

(2) EPM dedicated version, Non-EPM-dedicated does not support remote upgrade.

(3) Due to different on-site installation conditions, Solis currently has optional specifications as shown in the above table. It is suggested that the client can choose the appropriate CT specifications according to the actual installation requirements.

Accessories

» S2-WL-ST

Solis Monitoring System



Data Logging Stick: S2-WL-ST

- Support WiFi and LAN communication
- Plug and play, quick installation
- Fault alarm, real-time monitoring
- Status indicator, easy to display working status
- RESET button, one key to send data, convenient debugging
- Support Bluetooth nearby connection and debugging
- One-key assignment of inverter address, efficient and labor-saving

Datasheet

Model Name	S2-WL-ST
------------	----------

Communication

Supported device type	Solis inverter
Number of connected inverters ⁽¹⁾	≤10
Data collection intervals	5 minutes (adjustable: 1-15 minutes)
Status indicator	LED×3
Communication interface	4 Pin/USB
Wireless communication	802.11b/g/n (2.4G—2.483G)
Configuration method	APP/WEB

Electrical

Operating voltage	DC 5 V (+/-5%)
Operating power consumption	≤5 W

Environment

Operating temperature	-30 ~ +65°C
Operating humidity	5%-95%, relative humidity, no condensa
Storage temperature	-40 ~ +70°C
Storage humidity	< 40%
Operating altitude	≤4000 m
Protection degree	IP65

Mechanical

Dimensions (L*W*H)	125*34*49 mm (4 Pin)	112*34*49 mm (USB)
Installation method	Insert+Screw (4 Pin)	Insert+Lock (USB)
Weight	103 g (4 Pin)	89 g (USB)

Others

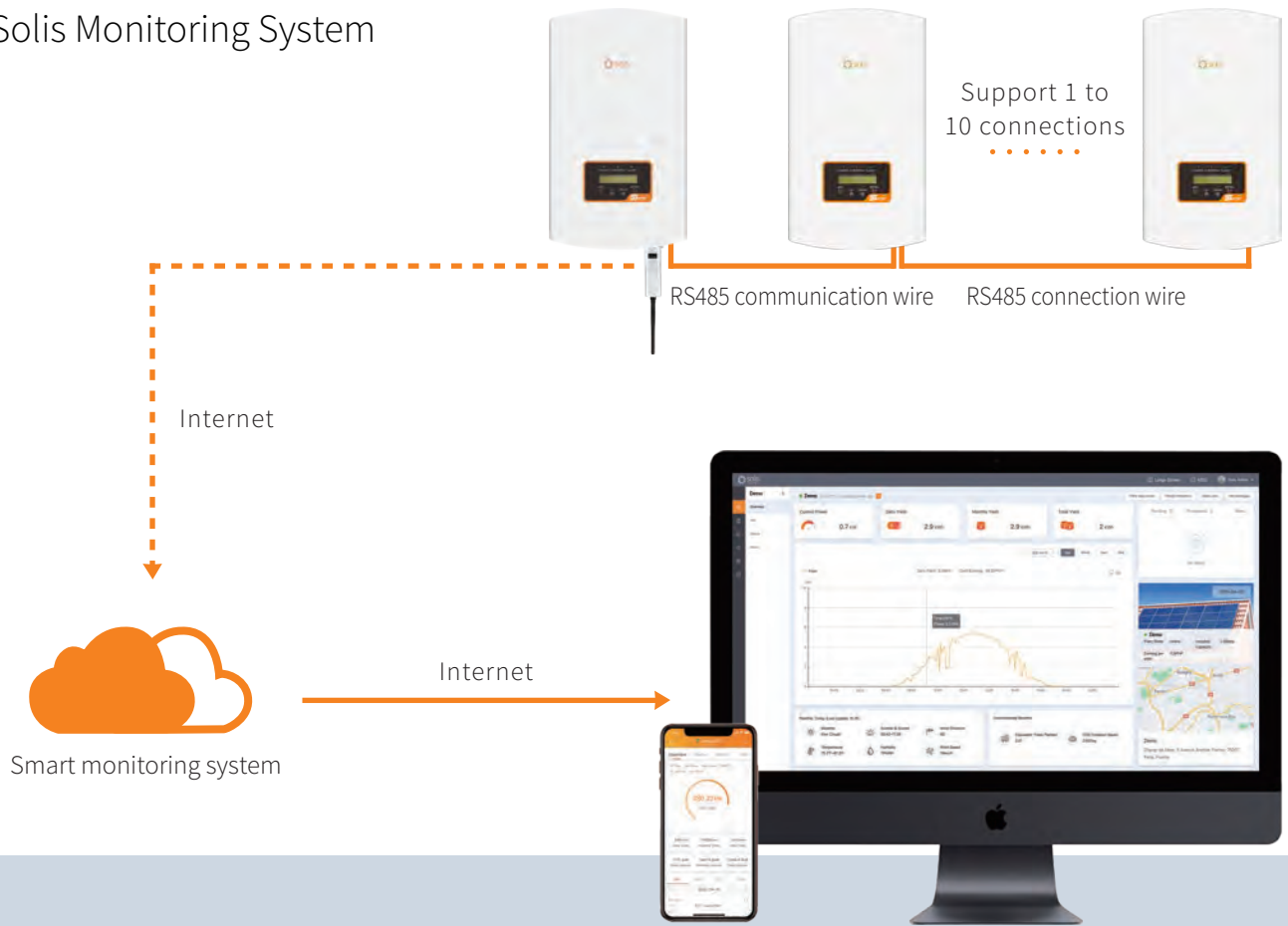
Certification	CE, FCC
---------------	---------

(1) Connect the inverters by RS485 cables.

Accessories

» S3-GPRS-ST, S3-WiFi-ST

Solis Monitoring System



S3-GPRS-ST



S3-WiFi-ST

Data Logging Stick: GPRS/WiFi

- Fault alarm, real-time monitoring
- Plug and play, convenient and fast
- Status indicator, easy to display working status
- RESET button, one key to send data, convenient debugging

Datasheet

Model Name	S3-GPRS-ST	S3-WiFi-ST
------------	------------	------------

Communication

Supported device type	Solis inverter	
Number of connected inverters ⁽¹⁾	≤10	
Data collection intervals	5 minutes (adjustable: 1-15 minutes)	
Status indicator	LED × 3	
Communication interface	4 Pin	
Wireless communication	850/900/1800/1900 MHz	802.11b/g/n (2.4G—2.483G)
Configuration method	APP/WEB	

Electrical

Operating voltage	DC 5V(+/-5%)	
Operating power consumption	≤5 W	

Environment

Operating temperature	-30 ~ +65°C	
Operating humidity	5%-95%, relative humidity, no condensa	
Storage temperature	-40 ~ +70°C	
Storage humidity	< 40%	
Operating altitude	≤4000 m	
Protection degree	IP65	

Mechanical

Dimensions (L*W*H)	133*45*41 mm	128*50*34 mm
Installation method	Insert+Screw	
Weight	84 g	80 g

Others

Certification	CE	CE, FCC
---------------	----	---------

(1) Connect the inverters by RS485 cables.

Accessories

» Solis-Link: RF

Solis Monitoring System



RF-Stick



RF-Stick



RF Gateway

Simple and easy

- Plug and play, easy to operate

Stable

- Stable network connection, real-time data transmission

Smart

- No Wi-Fi configuration required, RF intelligent connection

Efficient

- Remote monitoring, allowing real-time monitoring of mobile APP and Web side

Datasheet

Device name	Solis-Link; RF-Stick	Solis-Link; RF-Gateway
-------------	----------------------	------------------------

Wireless parameters

Demodulation	FSK
Data rate	9.6 kbps
Transmitting power	+20 dBm
Transmitting frequency offset	20 KHz
Transmission channel bandwidth	<8 KHz
Receiving channel bandwidth	200 KHz

Hardware parameters

Data interface	RS 485	Adaptive 10 / 100 Mbps
Operating voltage	DC 5 V ~ DC 12 V	DC 5.0 V (+/-5%)
Max. working voltage	15 V	12 V
Operating power consumption	1.5 W	
Indicator light	System running Status--RUN Light Inverter Connection Status--COM Light RF Connection Status--RF Light	System running Status--RUN Server Connection Status--SER RF Connection Status--RF
Operating humidity	10%-90%, relative humidity, no condensa	
Storage temperature	-45 ~ +90°C	
Storage humidity	< 40%	

Software parameters

Number of connected inverters	1	/
Serial communication rate	9600 bps (adjustable:1200-57600 bps)	/
Data collection intervals	5 minutes (adjustable: 1-15 minutes)	/
Link requirement	/	CAT5 shielded network cable length <50 m

Mechanical

Dimensions (L*W*H)	47*41*160 mm	90*23*90 mm
Weight	130 g	80 g
Protection degree	IP 65	IP 21

Others

Certification	CE
---------------	----

SolisCloud

New generation Solis PV monitoring platform

SolisCloud is the new generation of intelligent PV system monitoring. This new monitoring platform will empower you like never before. You will have full control of your system whenever and wherever you are. You will benefit from upgraded accurate fault alarm messaging that is adjustable to notify you within hours that fit meet your needs. For simple O&M the new platform features a full size display of all your installations with real-time data. You will have an intelligent alarm system that gives recommendations to quickly repair your field faults. In depth analysis tools allow you to understand the overall health of your system. IV curve scanning can be done easily and quickly on your whole system. A live power flow display gives visibility of both standard solar systems as well as storage systems. Most importantly you will have complete control of your systems and be able to monitor and adapt anything when and how you want.



SolisCloud Monitoring APP

Search for "Solis"

FOLLOW US

The Full Series of Operation Videos Will be available on **Youtube**

Web: www.soliscloud.com



Advanced Cloud Platform

Connecting with multiple types of devices seamlessly, Inverters, export power managers, weather stations etc.



Efficient O & M

Smart I-V curve scan, system health report, string-level fault finding



Multiple Plant Management

Manage multiple types of systems across residential, commercial and utility scale plants. Enables multiple team management across different sectors



Full Screen Display Mode

Clear and concise display of system performance and benefits including carbon emissions saved and equivalent trees planted as well as showing system yield & earnings

Case study



Mexico City, Mexico 20MW



Latur Maharashtra, India 2.8MW



Lumax Industries Ltd, India 750kW



JTC Solar Farm, Singapore 5MW



Georgia-Boviet Woodland, U.S.A 1.6MW



Lincolnshire, UK 140kW



UR Energy Project, India 5MW



Monash, Australia 1MW



Grow Solar Project, India 10MW



Soleos Energy Project, India 2MW



PE, Brasil 5MW



SolWorx Project, Namibia 272kW



Russia 4.2kW



Columbus Energy, Poland 10MW



Vitoria Project, Brazil 2.5MW



Police Training Project, India 450kW



ABP Ipswich, UK 1MW



RSWM, India 3.6MW



Tetra Pak Project, India 1MW



Adel Vokes Road, Australia 65.85kW



Carport project, India 6.2MW



SP, Brasil 150kW



Västra Götaland, Sweden 43.3kW



MG, Brasil 350kW



Faerch Plast Project, UK 2MW



Valinhos, Brazil 5kW



Brazil 2kW



Igrejinha, Brazil 6kW



Solar-M, Ukraine 15kW



USA 16kW



Kansas, U.S.A 25kW



Costa Rica 47kW



UK 4.4kW



Zhejiang Ningbo Tidal Flat PV Power Project 300MW



Inner Mongolia Khobqi Desert 20MW



Zhejiang Hangbu Agricultural-photovoltaic hybrid PV plant 30MW



Hubei Guanyin Agricultural-photovoltaic hybrid PV plant 20MW



Zhejiang Jinyun Beitai 21MW



Zhejiang Quzhou Agricultural-photovoltaic hybrid PV plant 20MW



Hebei Zhangbei Agricultural-photovoltaic hybrid PV plant 50MW



Shanghai Volkswagen Photovoltaic solar carport 55MW

Installed On the Eiffel Tower





Contact Us

HQ

No.57 Jintong Road, Binhai Industrial Park, Xiangshan, Ningbo, Zhejiang, 315712, China

+86 574 6580 2188 sales@ginlong.com service@ginlong.com

UK

1 Church Street Bootle Liverpool, L20 1AF, UK

+44 113 328 0870 europesales@solisinverters.com euservice@solisinverters.com

USA

565 Metro Pl. S. Suite 3214, Dublin OH 43017 USA

+1 866 438 8408 ussales@solisinverters.com usservice@solisinverters.com

India

104, wing -A, 1st floor, Techno1 City Premises Plot no. X-4/1 Mahape Navi Mumbai- 400710, India

+91 224 9744 251 (sales) indiasales@ginlong.com +91 224 9744 021 (service) inservice@solisinverters.com

Spain (EU Service Center)

Calle de Serrano, 240 - 1ª planta 28016 Madrid, Spain

+34 914 430 810 (sales) europesales@solisinverters.com +34 919 495 286 (service) spservice@solisinverters.com

Korea

#A-1301, Smart Valley, 30, Songdomirae-ro, Yeonsu-gu, Incheon, Korea

+82 32 822 2188 sales@ginlong.com service@ginlong.com

Myanmar

No (10) Sagwar Pin Street, Kyimyindaing, Yangon City

+95 94 302 3335 sales@ginlong.com service@ginlong.com

Sweden

Åkersberga, Sweden

+46 725 344 987 (sales) europesales@solisinverters.com +46 850 282 408 (service) euservice@solisinverters.com

Romania

Brasov, Romania

+40 757 037 864 europesales@solisinverters.com euservice@solisinverters.com

Poland

+44 113 328 0870 (sales) europesales@solisinverters.com +48 221 031 937 (service) plservice@solisinverters.com

France

+34 914 430 810 (sales) europesales@solisinverters.com +33 971 078 736 (service) euservice@solisinverters.com

Brazil

Sala 618, R. Paulo César Fidélis, 39-Lot. Res. Vila Bella, Campinas-SP, Brasil, 13087-727

+55 19 996133803 (sales) sales@ginlong.com +55 19 999618000 (service) service@ginlong.com

Netherlands

Nokweg 3-B, 2451 AL Leimuiden, Nederland

+31 85 048 1300 benelux@solisinverters.com nlservice@solisinverters.com

Australia

No. 5 / 109 Tulip Street, Cheltenham, Vic. 3192 Australia

+61 3 8555 9516 sales@solisinverters.com.au service@solisinverters.com.au

South Africa

1487 Seilskip Road, Laser Park, Honeydew, Roodepoort, Gauteng, South Africa

+27 010 222 0181 sales@ginlong.com sasservice@solisinverters.com

Vietnam

43/6 quoc lo 1A, ap dong lan 1, ba diem, hooc mon, TP HCM

+84 98 316 8126 (sales) sales@ginlong.com +84 90 495 1267 (service) service@ginlong.com

Philippines

12-2C, Cambridge Village Condominium, BLK 19 Kabisig Road, San Andre's Floodway, Cainta Rizal, 1900

+63 0917 5380285 sales@ginlong.com service@ginlong.com

Germany

Bad Pyrmont, Germany

+49 151 25 222 228 (sales) europesales@solisinverters.com +49 322 12 249 144 (service) deservice@solisinverters.com

Turkey

Istanbul, Turkey

+90 545 651 3541 (sales) europesales@solisinverters.com +86 574 6580 2188 (service) euservice@solisinverters.com

Mexico

Monterrey, Mexico

+86 574 6580 2188 (sales) sales@ginlong.com +52 811 500 2841 (service) service.latam@solisinverters.com

Italy

Treviso, Italy

+39 371 341 7325 europesales@solisinverters.com euservice@solisinverters.com



w: solisinverters.com

